



Thensa

Travel in comfort and style



**atec**

**Thensa** horse trailers



## Comfort and style

The Atec Thensa is a modern horse trailer made of steel, polyester and aluminium.

The hot-dip galvanised chassis, the use of the latest polyester technology, the perfect finish and the 100% wood-free construction makes the Thensa an indestructible trailer.



## Always safe and stress-free

Thanks to the unique design of the polyester top, your horse will experience a generous sense of space.

The extra-large, low-noise cabin combined with the stable chassis are the ideal prerequisites for safe and stress-free transport of your horses.



Lockable tack room with large entrance door



Reliable and clear lighting



Aluminium side panels with support



Kick protection shield made of durable plastic



Height-adjustable chest and rear bars with panic release system



Low entrance tailgate ramp with rubber top, cross step bars and side stops

Tinted top hung windows with protective grille

Aerodynamic polyester top and front

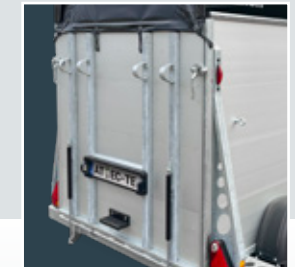
Large manoeuvring handles

XXL tack room, fitted with revolving saddle holder

AL-KO overrun brake

Automatic jockey wheel

Extra-large, comfortable cabin



Aluminium tailgate ramp with two gas springs

Aluminium side walls (anodised)

High-quality plastic mudguards

Integrated LED side marker lights



# Discover all possibilities

The Atec Thensa is available in as many as eight different models. There is also a Thensa trailer for you that fits the needs of you and your horses!

## Thensa standard features:

- Plastic floor with two aluminium top layers covered with rubber walking floor
- Aluminium sides
- Hot-dip galvanised chassis
- Steel rims
- Large access door
- Non-glare tinted windows with protective grille
- Kick protection shield made of durable plastic
- Rear tarpaulin with roll-up mechanism
- Tailgate ramp with rubber top, cross step bars and side stops
- Panic release system at front and rear
- Interior lighting
- Automatic jockey wheel
- Integrated LED side marker lights
- Manoeuvring handles
- Height-adjustable chest and rear bars

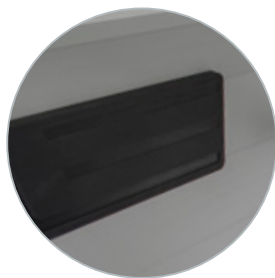




Partition with (optional) head grid



Option: chest bar cushions



Option: side panel cushions



Option: automatically retracting rear mesh



Option: axle shock absorbers



Option: third brake light LED in licence plate holder

## XXL tack room

The models with large, lockable tack room are fully equipped with:

- Rotating saddle holder (suitable for western saddles)
- Two halter holders
- Mirror and net

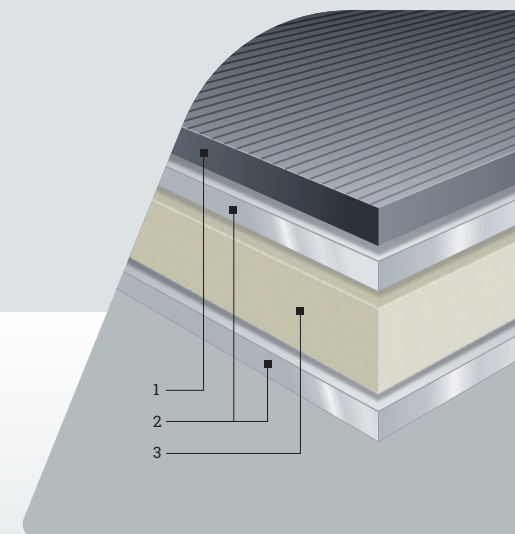


## Compleet

*The APT 2500*

*Thensa extras:*

- **Axle shock absorbers**
- **Chest bar cushions**
- **Wall mounted cushions**
- **Third LED brake light in licence plate holder**



**Thensa floor is 100% wood-free composed of:**

1. rubber walking floor
2. aluminium top layer
3. synthetic core

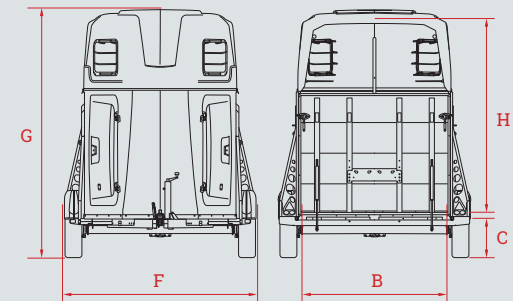
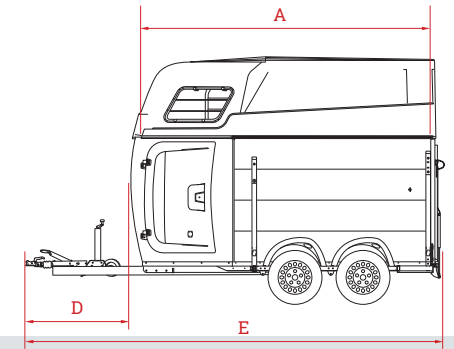




## Reliable quality

Thanks to the choice of materials and production method, the Atec Thensa is durable and maintenance-friendly. A horse trailer you can rely on for years to come!

Which Atec Thensa suits you?



	APT 1600 Thensa	APT 1600 Thensa	APT 2000 Thensa	APT 2000 Thensa	APT 2000 Thensa	APT 2000 Thensa	APT 2500 Thensa Fully equipped!	APT 2500 Thensa Fully equipped!
Type	1.5-horse trailer	1.5-horse trailer	2-horse trailer	2-horse trailer	2-horse trailer	2-horse trailer	2-horse trailer	2-horse trailer
Gross capacity	1600 kg	1600 kg	2000 kg	2000 kg	2000 kg	2000 kg	2500 kg	2500 kg
Unladen weight (ULW)	765 kg	765 kg	850 kg	850 kg	895 kg	895 kg	915 kg	915 kg
Load capacity	835 kg	835 kg	1150 kg	1150 kg	1105 kg	1105 kg	1585 kg	1585 kg
Metallic colour	black	silver	black	silver	black	silver	black	silver
Tack room with lighting	v	v	x	x	v	v	v	v
Partition wall	x	x	v	v	v	v	v	v
Axles pcs	2	2	2	2	2	2	2	2
Braked version	v	v	v	v	v	v	v	v
Wheel / tyresize	185/70R13	185/70R13	185/70R13	185/70R13	185/70R13	185/70R13	195/70R14	195/70R14
Internal length (A)	350 cm	350 cm	350 cm	350 cm	350 cm	350 cm	350 cm	350 cm
Internal width (B)	145 cm	145 cm	175 cm	175 cm	175 cm	175 cm	175 cm	175 cm
Internal height (H)	240 cm	240 cm	240 cm	240 cm	240 cm	240 cm	240 cm	240 cm
Floor height (C)	42 cm	42 cm	42 cm	42 cm	42 cm	42 cm	47 cm	47 cm
A-Frame length (D)	135 cm	135 cm	135 cm	135 cm	135 cm	135 cm	135 cm	135 cm
Overall dimensions LxWxH (E, F, G)	490x195x289 cm	490x195x289 cm	490x225x289 cm	490x225x289 cm	490x225x289 cm	490x225x289 cm	490x225x292 cm	490x225x292 cm
Options							Options	
Head grid	x	x	o	o	o	o	o	o
Wall mounted cushions	o	o	o	o	o	o	s	s
Chest bar cushions	x	x	o	o	o	o	s	s
Third LED brake light	o	o	o	o	o	o	s	s
Automatically retracting rear mesh	o	o	o	o	o	o	o	o
Axle shock absorbers	o	o	o	o	o	o	s	s
Spare wheel (supplied separately)	o	o	o	o	o	o	o	o

s standard equipment o available as an option x no option



# About Atec

Atec is a Dutch company and has years of experience in the development and production of horse trailers. Every aspect of trailer design is handled with great care, with materials carefully selected. The entire production process is carried out with great precision, with the ultimate aim of ensuring that both you and your horse can travel safely and comfortably in a stylish way. Atec guarantees high quality that lasts for years.

Your Atec partner



Atec Aanhangwagens B.V.  
Ericssonstraat 50  
NL - 5121 ML Rijen  
AtecTrailers.eu

ATB2401EN-TH

