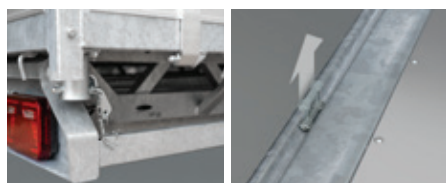




New!

Hulco **BENAX**

The Hulco Benax 3-way tipping trailers are specifically designed for intensive use. These trailers are particularly robust and durable, and are suitable for transporting heavy materials. The three-sided tipping functionality greatly facilitates unloading, especially on construction sites where flexibility is a requirement.



Indispensable for the toughest jobs

Features:

- Heavy-duty steel space frame upper chassis
- 5-stage cylinder
- Large tilt angle up to 49°
- Well-supported flat steel floor (2 mm) in one piece
- 10 Recessed tie-eyes in floor rim (4 left, 4 right, 2 front)
- Long fixed tie-hooks under the floor
- Integrated ramp holders
- Heavy-duty jockey wheel
- Full LED lighting
- Third brake light (LED)
- Battery level indicator
- Bolted A-frame
- Tridem versions with 3x 1800 kg axle

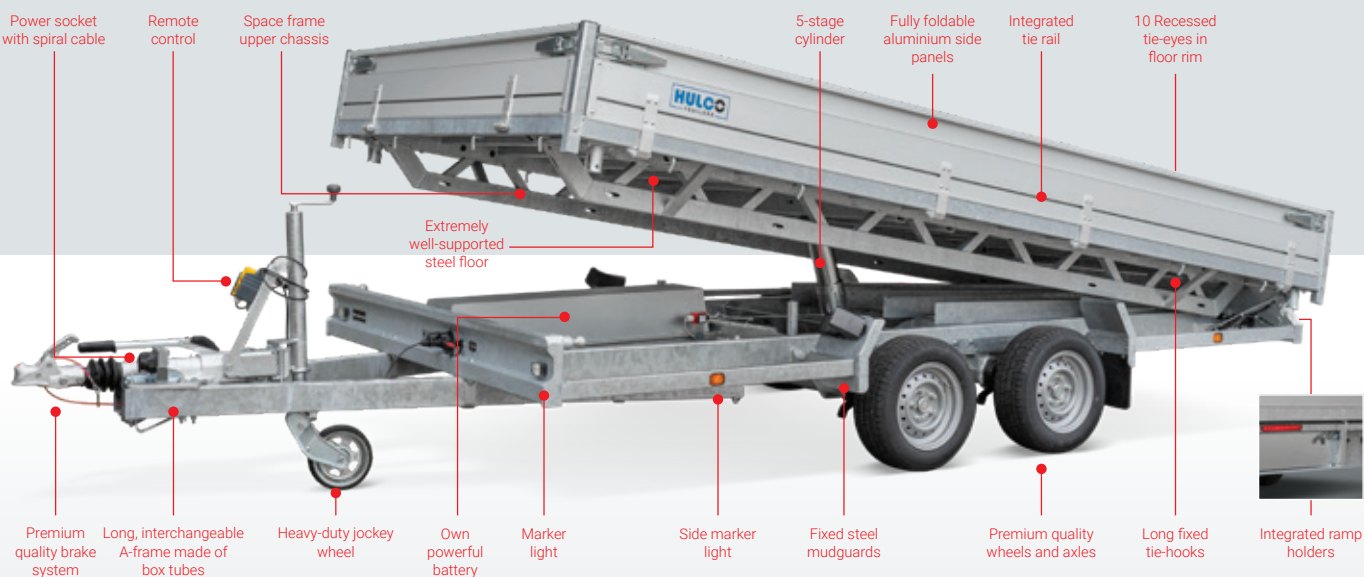
- Models: 4
- Gross capacity: 3500 kg
- Version: tandem and tridem
- Also available as Go-Getter version

Often chosen for::

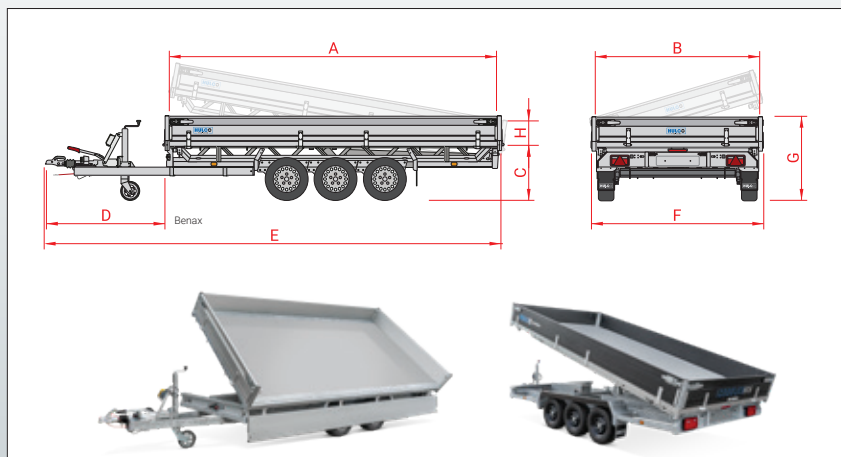
- Professional heavy duty use

Often bought with:

- Mesh sides
- Extension sides
- Emergency manual pump
- Spare wheel with support
- Axle shock absorbers



Type	BENAX-2 3500 405x203	BENAX-2 3500 405x203 Go-Getter	BENAX-3 3500 405x203	BENAX-3 3500 405x203 Go-Getter
Gross capacity	3500 kg	3500 kg	3500 kg	3500 kg
Unladen weight (ULW)	1095 kg	1100 kg	1205 kg	1215 kg
Load capacity	2405 kg	2400 kg	2295 kg	2285 kg
Axes pcs	2	2	3	3
Braked version	✓	✓	✓	✓
Electric hydraulic tilt control	✓	✓	✓	✓
3-way tilt function	✓	✓	✓	✓
Aluminium panels	silver	black	silver	black
Steel rims	silver	black	silver	black
Wheel / tyresize	185/60R12	185/60R12	185/60R12	185/60R12
Internal length (A)	405 cm	405 cm	405 cm	405 cm
Internal width (B)	203 cm	203 cm	203 cm	203 cm
Floor height (C)	69 cm	69 cm	69 cm	69 cm
A-Frame length (D)	145 cm	145 cm	145 cm	145 cm
Total length (E)	558 cm	558 cm	558 cm	558 cm
Total width (F)	209 cm	209 cm	209 cm	209 cm
Total height (G)	107 cm	107 cm	107 cm	107 cm
Side panel height (H)	30 cm	30 cm	30 cm	30 cm





BENAX



Hulco **BENAX**

Customisation with original **BENAX** accessories

Every day, professionals rely on Hulco's reliable quality. No job is too tough for the Hulco Benax. Need more? The Benax accessories provide the perfect addition.



Accessoires	BENAX-2 3500 405x203	BENAX-2 3500 405x203 Go-Getter	BENAX-3 3500 405x203	BENAX-3 3500 405x203 Go-Getter
High cover (internal height 180 cm)	✓	✓	✓	✓
High cover (internal height 210 cm)	✓	✓	✓	✓
Mesh sides	✓	✓	✓	✓
Extension sides	✓	✓	✓	✓
Flatcover	✓	✓	✓	✓
Front ladder rack (H 80 cm)	✓	✓	✓	✓
Propstands	✓	✓	✓	✓
Emergency manual pump	✓	✓	✓	✓
Spare wheel with support	✓	✓	✓	✓
Axle shock absorbers	✓	✓	✓	✓
Net hooks	✓	✓	✓	✓

✓ available as an accessory ✗ no accessory



Your Hulco dealer:



For professionals with standards
View all transport solutions at:
www.hulco.eu



HPL2401EN-BEN